



SYNERGY

INNOVATIVE DIVING EQUIPMENT TRADING LLC

INSPIRING • ENGINEERING • INNOVATION

UAE • UK • INDIA • AZERBAIJAN



SY- REGULATORS - PRESSURE REDUCING

Specifications

For other materials or modifications, please consult TESCO M.

OPERATING PARAMETERS

Pressure rating per criteria of ANSI/ASME B31.3

Maximum Inlet Pressure
Stainless Steel Body
4500 psig / 310 bar
6000 psig / 414 bar available
Brass Body
3750 psig / 259 bar
5000 psig / 345 bar available
Outlet Pressure Ranges
0-300, 0-600, 0-1000 and 0-1500 psig
0-20.7, 0-41.4, 0-69.0 and 0-103 bar
0-2500 psig / 0-172 bar available
Design Proof Pressure
150% of rated pressure
Leakage
Bubble-tight
Operating Temperature¹
-15°F to 220°F / -26°C to 104°C
Flow Capacity²
1/4" Main Valve: Cv = 0.8
3/8" Main Valve: Cv = 2.0



TESCOM 44-1300 Series is a high pressure, high flow pressure reducing regulator that offers a venting and balanced valve design. The 44-1300 Series provides Cv = 0.8 and 2.0. Dome and air load options are available.

- **Applications**
- Commercial diving - breathing air
- Special gas mix regulation hard suit diving
- High pressure tube trailer gas reduction
- **Features and Benefits**
- Large piston sensor gives excellent sensitivity
- Balanced valve design ensures stable downstream pressure
- Large handknob provides fast low-torque pressure settings
- Venting is standard
- Available with gauge ports
- Dome and air loaded models are available
- (non-venting only)
- Flanged end connections available





SY- REGULATORS - PRESSURE REDUCING

MEDIA CONTACT MATERIALS

Body
Brass, 303 Stainless Steel or 316 Stainless Steel
Seat, Main Valve
PCTFE (Except: 44-13X2-XXX2, PTFE)
Seat, Vent Valve
PTFE: 300 and 600 psig / 20.7 and 41.4 bar outlet
PCTFE: 1000 and 1500 psig / 69.0 and 103 bar outlet
O-Rings
FKM (Viton®-A)
Back-up Rings
PTFE
Gaskets
PCTFE
Remaining Parts
300 Series Stainless Steel, 17-4 PH Stainless Steel, 17-7 Stainless Steel, PTFE and Brass

OTHER

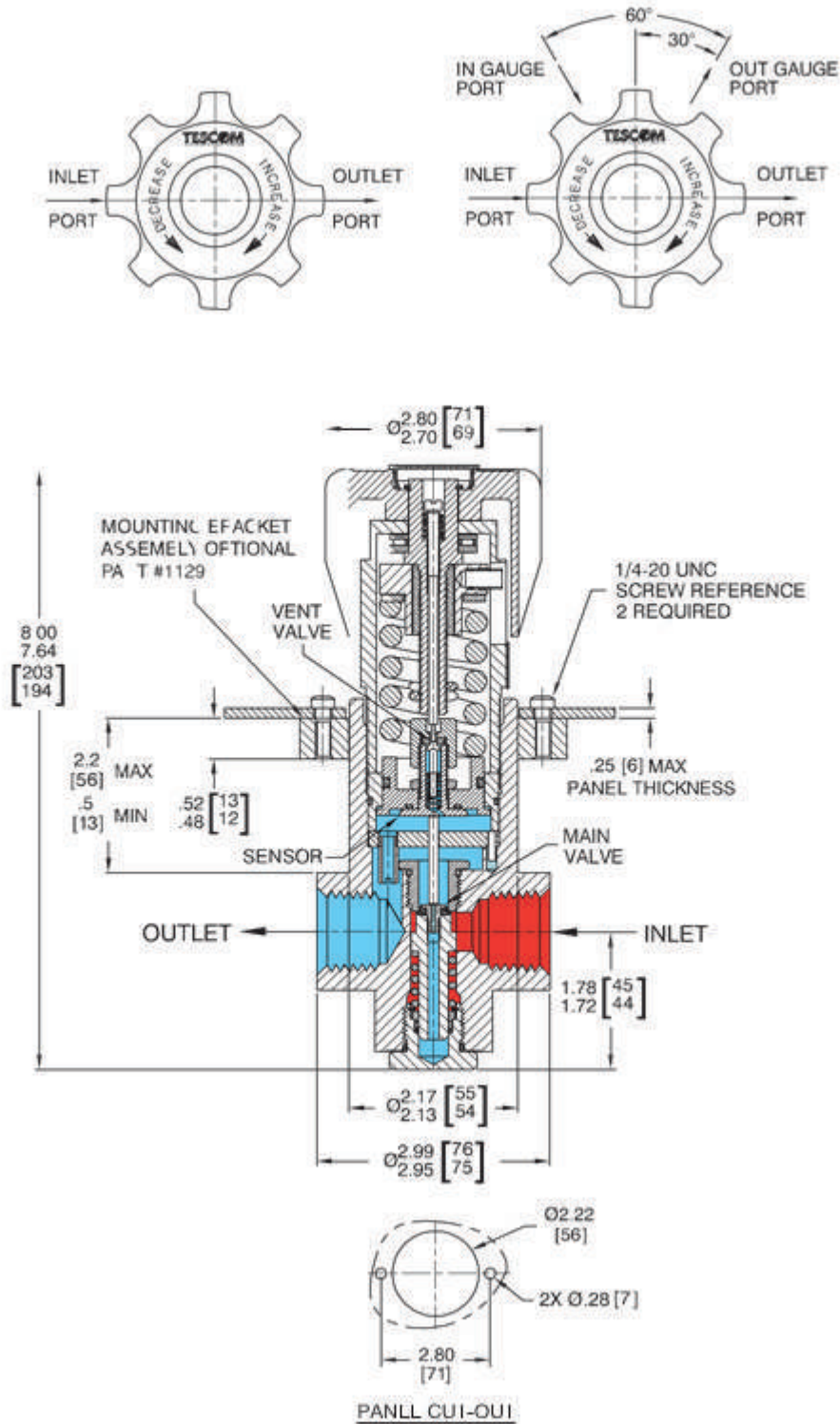
Cleaning
CGA 4.1 and ASTM G93
Weight (without gauges)
6.25 lbs / 2.8 kg

1. For extended temperatures from -40°F to 400°F / -40°C to 204°C, consult TESCO.
2. A secondary pressure drop due to the outlet cross-hole can significantly affect the rated flow capacity. Flow curves should be used for critical sizing applications.

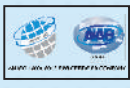
Teflon® and Viton® are registered trademarks of E.I. du Pont de Nemours and Company



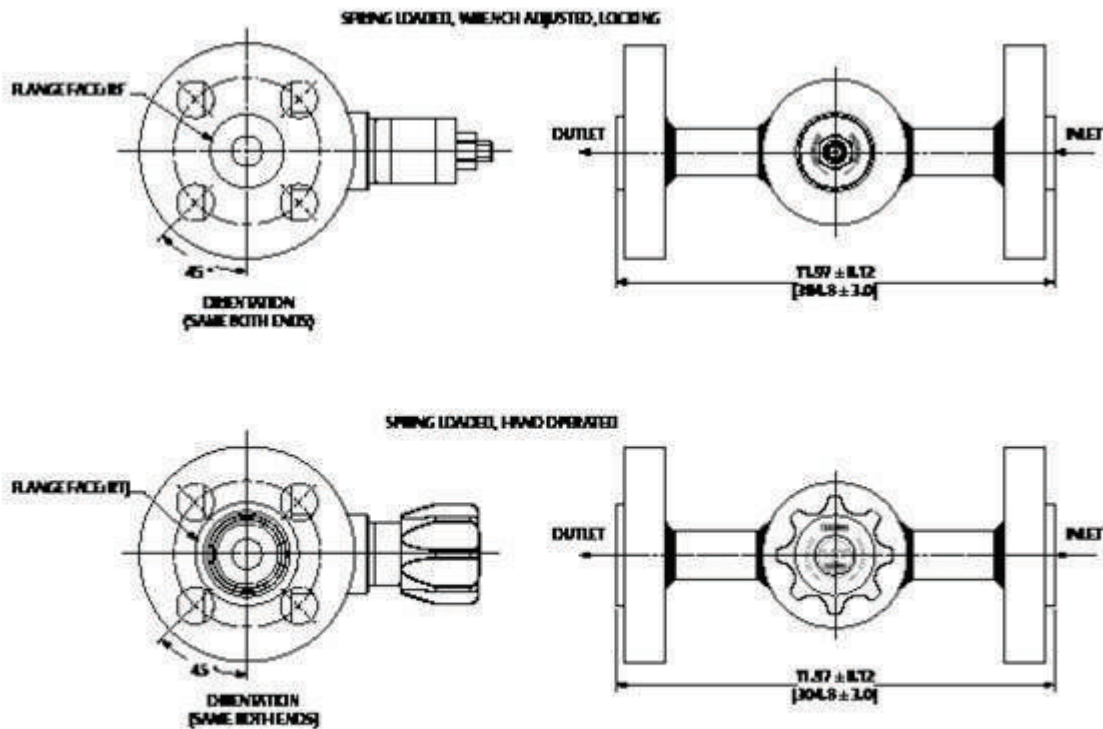
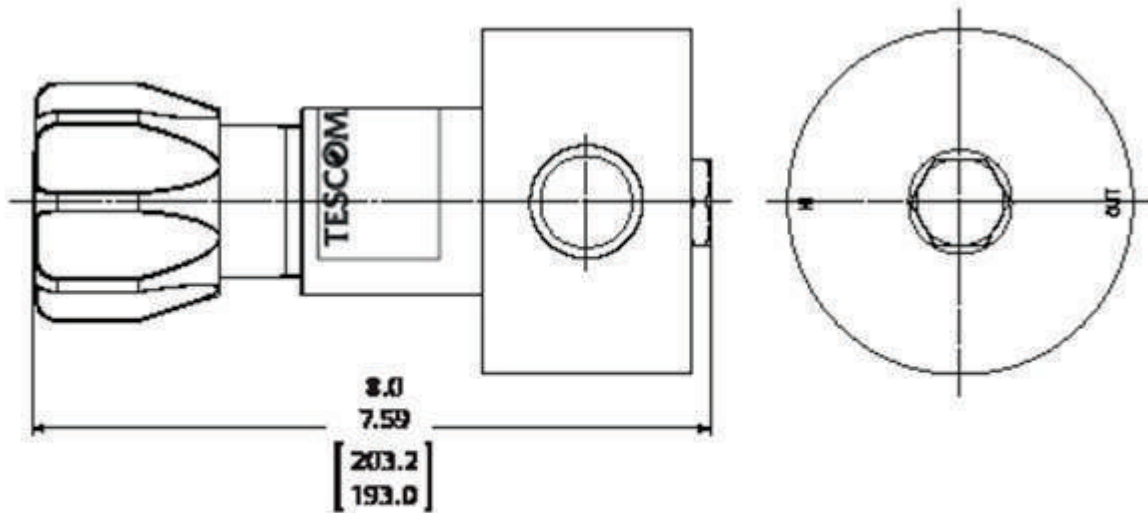
SY- 44-1300 SERIES REGULATOR REGULATOR DRAWING



All dimensions are reference & nominal
Metric [millimeter] equivalents are in brackets



SY- 44-1300 SERIES REGULATOR WITH FLANGES DRAWING

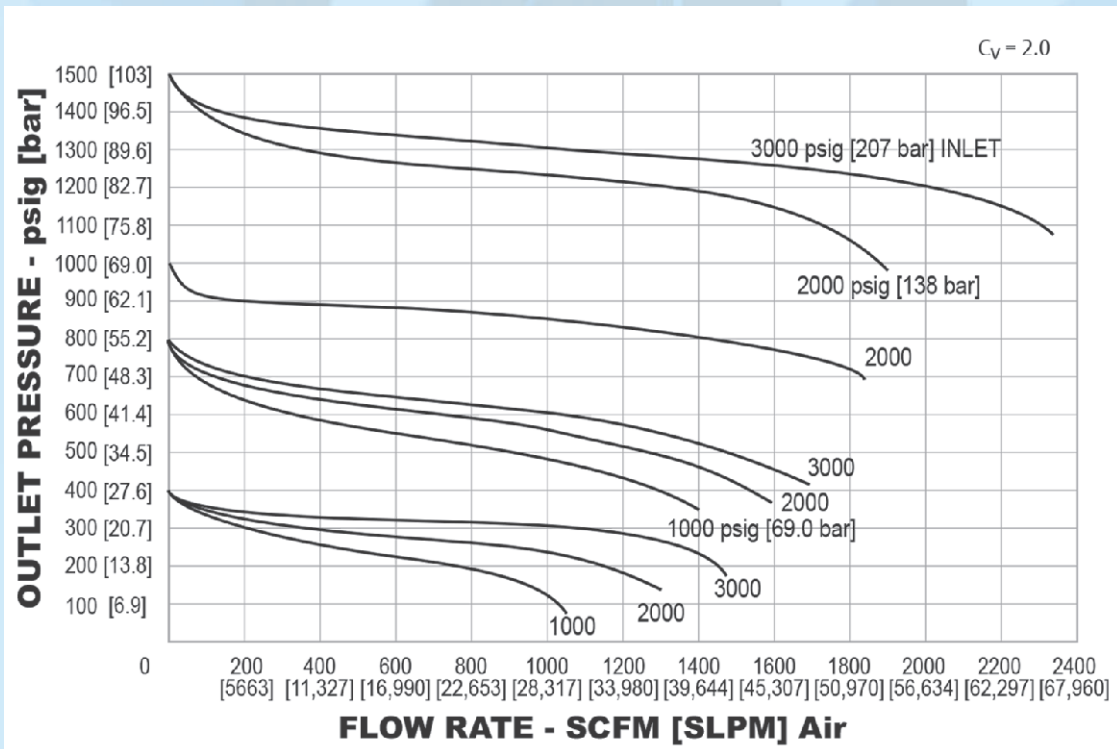
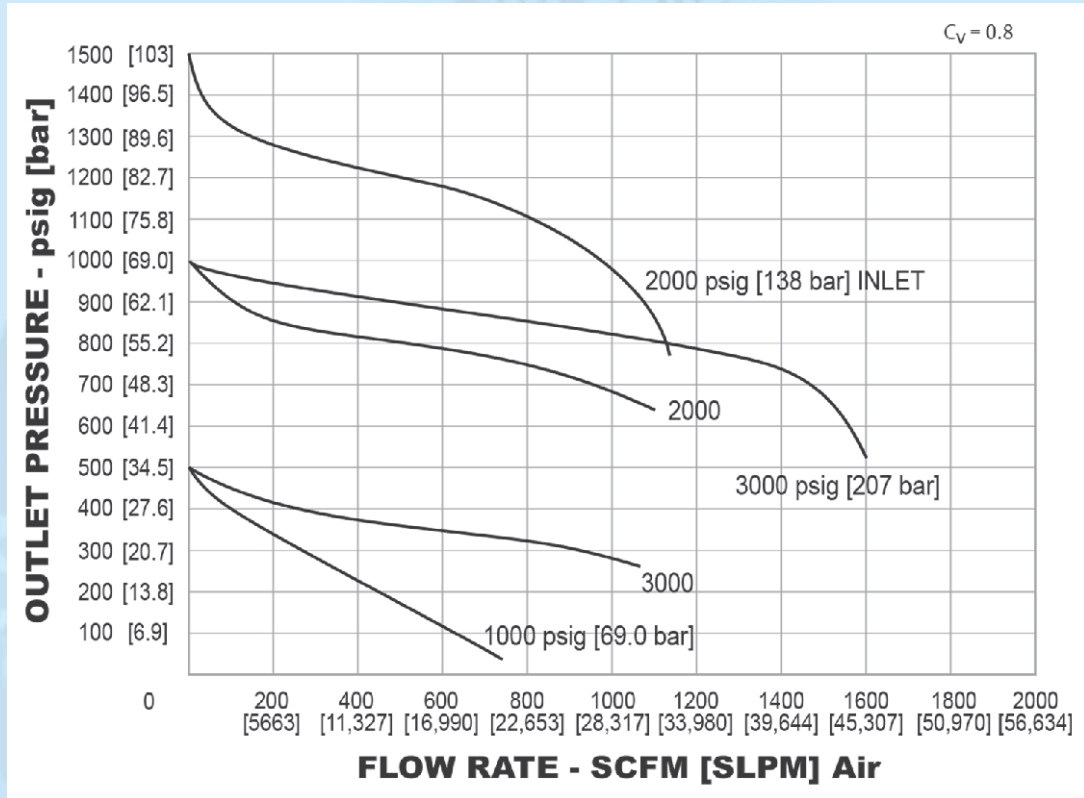


All dimensions are reference & nominal
Metric [millimeter] equivalents are in brackets



SY- 44-1300 SERIES REGULATOR FLOW CHARTS

For more information on how to read flow curves, please refer to the Flow Curves and Calculations document (debul2007x012) in the TESCO M catalog or on





SY- 44-1300 SERIES REGULATOR PART NUMBER SELECTOR

Learn more about common options.

For modifications, repair kits and accessories, contact factory.

Threaded End Connector Part Number Selection:

DOME LOAD/SPRING BIAS

44-13

6

1

2

4

BASIC SERIES	BODY MATERIAL	INLET PRESSURE	OUTLET PRESSURE RANGES	PORT TYPE	PORT SIZE	MAIN VALVE
44-13	1 - Brass	3750 psig 259 bar	2 - 0-300 psig 0-20.7 bar	1 - SAE 2 - NPTF	08 - 1/2" 12 - 3/4"	1 - 1/4" Cv = 0.8 2 - 3/8" Cv = 2.0
	2 - 303 Stainless	4500 psig 310 bar	3 - 0-600 psig 0-41.4 bar	3 - MS33649 9 - BSPP		
	Steel		5 - 0-1000 psig			
	6 - 316 Stainless	4500 psig 310 bar	0-69.0 bar			
	Steel		6 - 0-1500 psig 0-103 bar			
			7 - 0-2500 psig 0-172 bar			
			(-056 Mod only)			

OPTIONS

- 002 Modification - Non-venting, no gauge ports
- 005 Modification - Venting with gauge ports
- 019 Modification - Non-venting with gauge ports
- 056 Modification - 6000 or 5000 psig / 414 or 345 bar inlet pressure with 2500 psig / 172 bar outlet pressure
- 183 Modification - Corrosion Resistant Top Works

SYNERGY INFRASTRUCTURE





SYNERGY

INNOVATIVE DIVING EQUIPMENT TRADING LLC

INSPIRING • ENGINEERING • INNOVATION

UAE • UK • INDIA • AZERBAIJAN



DIVE CONTROL-THREE DIVER GAS PANEL

Contact us

29th Street, Amman Road, Behind Al Huraiz Est. For Industry,
Al Qusais, Industrial Area - 1,
Dubai, United Arab Emirates

- Tel : 009714 2580533
- Fax : 009714 2580534
- UAE : 00971505648178
- UK : 00447951966260

- Website : www.synergiequipment.com
- Email : ram@synergiequipment.com
- For Sale : info@synergiequipment.com

