

YANMAR MARINE DIESEL ENGINES SY-D36

PART NO : SY-D36



PART NO : SY-D27

PART NO : SY-D40



- **Reliable**

Boat owners relate to the advantages of a diesel: lower chance of electrical fault, better fuel economy and a long, reliable work filled life.

- **Long hours**

Useful for trolling, working nets or fish farming, the diesel can't be matched in low speed operation. The combustion chamber and new cooling system allows for hours of idling.

- **Cool**

The thermostat cools the engine in response to how hard it is working by changing the temperature of the water.

- **Superior**

Special cast iron cylinder liners are bonded onto the one piece aluminium block. Minature fuel injection pumps are combined with nozzles to form "unit injectors" which are super compact

Technical Details

Engine and Block

- One piece aluminium block.
- Cast iron cylinder bonded to the block.
- With a five coat painting process, the engine is protected both inside and out.

Fuel System

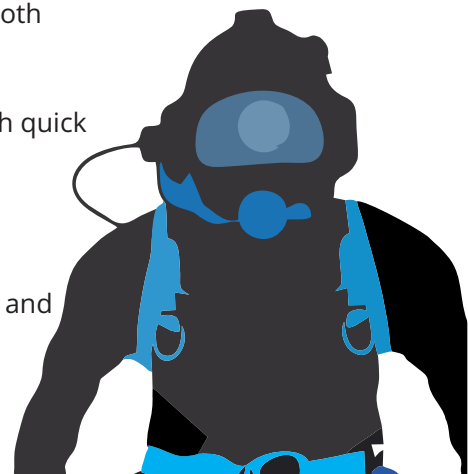
- Precise fuel metering with quick response.

Cooling System

- Seawater thermostat

Exhaust System

- Minature injection pump and reduced smoke.

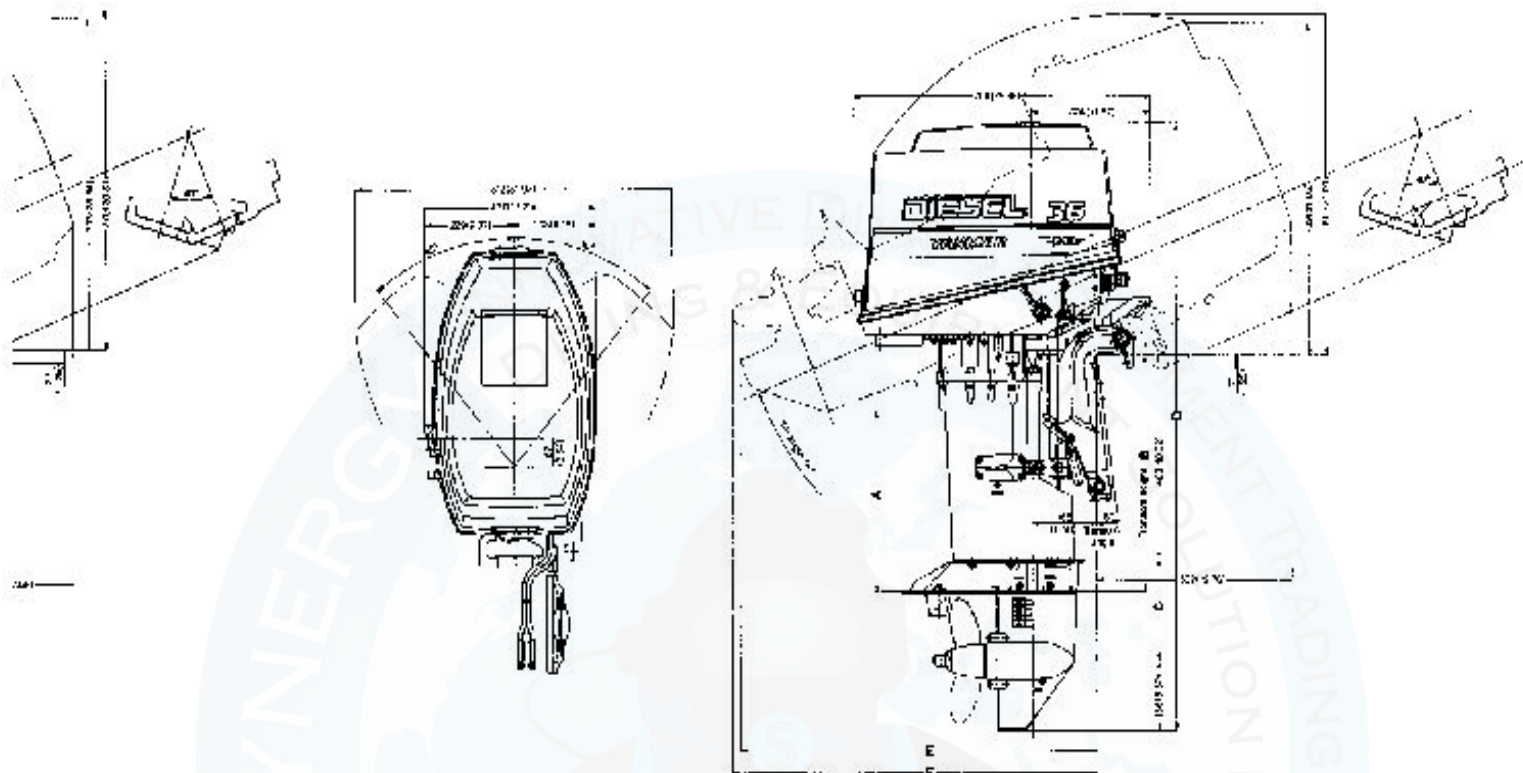


YANMAR MARINE DIESEL ENGINES SY-D36



| Model | D36 |
|--|--|
| Configuration | 4-cycle, vertical, water cooled diesel engine |
| Number of cylinders | 3 |
| Bore and stroke mm | 82 x 70 (3.23 x 2.76) |
| Displacement cc (cu. in.) | 1019 (68) |
| Maximum output hp(kW) /rpm at crankshaft | 36hp/4500rpm (26.5kW/4500rpm) |
| Combustion system | Direct injection |
| Starting system | Electric with emergency rope start |
| Cooling system | Direct seawater cooling by rubber impeller pump |
| Lubrication system | Forced lubrication with trochoid pump |
| Generator | AC dynamo built in flywheel |
| Drive device | |
| Clutch type | Dog type clutch |
| Reduction ratio Ahead/ Astern | 1.846/1.846 |
| Direction of rotation | Clockwise viewed from propeller |
| Lubrication system | Oil bath |
| Tilt up system | AX-E manual AX-EP hydraulic |
| Control device | |
| Engine speed control | Remote control |
| Clutch control | Remote control |
| Steering | Remote control |
| Transom installation | |
| Fuel oil | Diesel fuel with kerosene (Add lube oil, 30:1) |
| Fuel oil capacity l(cu.in) | 24 (1465) |
| Lube oil | Engine: SAE 15W40, API CD/ Drive: SAE 80W90, API Gear oil #90 |
| Dry weight | |
| L-type | 116kgs (256lbs) 120kgs (265lbs) |
| LL-type | 117kgs (258lbs) 121kgs (267lbs) |
| UL-type | 118kgs (260lbs) 122kgs (269lbs) |

YANMAR MARINE DIESEL ENGINES SY-D36



| | A | B | C | D | E | F |
|----------------|-----------------------|-----------------------|-----------------------|------------------------|------------------------|------------------------|
| L-type | 402 (15.83) | 560 (22.05) | 239 (9.41) | 1380 (54.33) | 889 (35.00) | 892 (35.12) |
| LL-type | 442 (17.40) | 623 (24.53) | 302 (11.89) | 1443 (56.81) | 947 (37.28) | 952 (37.48) |
| UL-type | 482 (18.98) | 685 (26.97) | 364 (14.33) | 1505 (59.25) | 1005 (39.57) | 1009 (39.72) |

YANMAR MARINE DIESEL ENGINES SY-D36

ACCESSORIES

| | D27 | D36 |
|--|-----|-----|
| Transom length, L-type, 560mm | ● | ● |
| Transom length, LL-type, 623mm | ● | ● |
| Transom length, UL-type, 685mm | ● | ● |
| Charging dynamo, 12V-10A | ● | ● |
| Charging dynamo, 12V-20A | ▲ | ▲ |
| Bolts and nuts for outboard motor clamp | ● | ● |
| Remote control bracket for engine speed & clutch shift control | ● | ● |
| Remote control bracket for steering control | ● | ● |
| Bar handle control | ▲ | ▲ |
| Hydraulic tilt switch | - | ● |
| Spare parts kit | ▲ | ▲ |
| Half tilt device | ▲ | ▲ |
| Special overhauling tool kit | ▲ | ▲ |
| F.O tank (24ℓ), hose 2m & connect parts | ● | ● |
| Tool kit | ● | ● |
| Operation manual | ● | ● |
| Propeller clamp kit | ● | ● |
| Propeller, 3-10.5 x 9 | ▲ | - |
| Propeller, 3-10.5 x 9.5 | ▲ | - |
| Propeller, 3-10.5 x 10 | ▲ | - |
| Propeller, 3-10.5 x 10.5 | ▲ | - |
| Propeller, 3-10.5 x 11 | ▲ | - |
| Propeller, 3-10.5 x 11.5 | ▲ | - |
| Propeller, 3-10.5 x 12 | ▲ | - |
| Propeller, 3-10.5 x 12.5 | ▲ | - |
| Propeller, 3-10.5 x 13 | ▲ | - |
| Propeller, 3-11.5 x 9 | - | ▲ |
| Propeller, 3-11.5 x 10 | - | ▲ |
| Propeller, 3-11.5 x 10.5 | - | ▲ |
| Propeller, 3-11.5 x 11 | - | ▲ |
| Propeller, 3-11.5 x 11.5 | - | ▲ |
| Propeller, 3-11.5 x 12 | - | ▲ |
| Propeller, 3-11.5 x 12.5 | - | ▲ |
| Propeller, 3-11.5 x 13 | - | ▲ |
| Propeller, 3-11.5 x 14 | - | ▲ |
| Propeller, 3-11.5 x 15 | - | ▲ |
| *Remote control Assy, S-type (Standard) (included: Starter switch, Manual engine stop, L.O alarm lamp) | ● | ● |
| *Remote control Assy, A-type (included: Starter switch, Manual engine stop, Type 2 panel, Wireharness 5m, 2m, Alarm panel) | ▲ | ▲ |
| *Remote control Assy, B-type (included: Engine stop solenoid, Wireharness 2m, Extension wireharness 5m) | ▲ | ▲ |
| *Remote control Assy, C-type (included: Remote control head NA12, Engine stop solenoid, Wireharness 2m, Extension wireharness 5m) | ▲ | ▲ |
| *Remote control Assy, D-type (included: Remote control head NA12, Engine stop solenoid, Wireharness 5m, 2m, Alarm panel with Tachometer, Hour meter) | ▲ | ▲ |

*Refer to detail table ● : Standard ▲ : Option - : Not available


REMOTE CONTROL ASSY

| Assy Name | S | A | B | C | D |
|----------------------------|---|---|---|---|---|
| Engine Remote control head | - | - | - | ▲ | ▲ |
| Speed Governor | - | - | - | - | - |
| Shift | - | - | - | - | - |
| Steering | - | - | - | - | - |
| Starting Device | ● | ▲ | - | - | - |
| Engine Stopping Device | - | - | - | ▲ | ▲ |
| Kill-SW. | - | - | - | ▲ | ▲ |
| Lube oil Alarm lamp | ● | - | - | - | - |
| Tachometer sensor | - | - | - | - | ● |
| Tilt SW. | - | - | - | ▲ | ▲ |
| Instrument panel | - | ▲ | - | - | - |
| Alarm panel | - | ▲ | - | - | ▲ |
| Wire-harness | - | ▲ | - | - | - |




● : Equipped on engine. ▲ : In packing - : Not included

YANMAR MARINE DIESEL ENGINES SY-D36

Contact us

 29th Street, Amman Road, Behind Al Huraiz Est. For Industry,
Al Qusais, Industrial Area – 1,
Dubai, United Arab Emirates

-  Tel : 009714 2580533 
-  Fax : 042516664 
-  UAE : 00971505648178 
-  UK : 00447951966260 

-  Website : www.synergyequipment.com
-  Email : ram@synergyequipment.com
-  For Sale : info@synergyequipment.com

